

EDITION
MARCH
2025



King Of Covelight

SINGAPORE

CONTENTS

KING OF COVELIGHT

1. SKIRTGLOW SERIES
2. COVEBLEND SERIES
3. VERTOGLOW SERIES
4. CEILLUX SERIES
5. PATHGLOW SERIES
6. EDGELUME SERIES
7. STEPLUME SERIES
8. COVEFLOW SERIES
9. ELEVATELUME SERIES
10. DUOLUME SERIES
11. ANGLEGLOW SERIES
12. EDGEGLow SERIES
13. FLEXARC SERIES
14. BASEGLOW SERIES
15. FLEXBASE SERIES
16. ARCBASE SERIES
17. WALLGLOW SERIES
18. ARCGLOW SERIES
19. ELEVATEGLOW SERIES
20. LUMAEDGE SERIES





Lighting is the Soul of the Space.

At King of Covelight, we believe lighting is more than function — it's the soul of a space. With over a decade of mastery in cove lighting, we sculpt light to stir feeling, elevate design, and transform everyday living into something extraordinary.

Our signature and bespoke solutions are trusted by designers and homeowners alike to create atmospheres that whisper warmth, elegance, and intention.

In the heart of Singapore's central district, our studio is more than a showroom — it's a sanctuary where vision meets craftsmanship, and where every light tells your story.



Skirting, reimagined with glow.

Indirect Lighting | 45° Upward Glow | Wall-Integrated | Minimalist Aesthetic

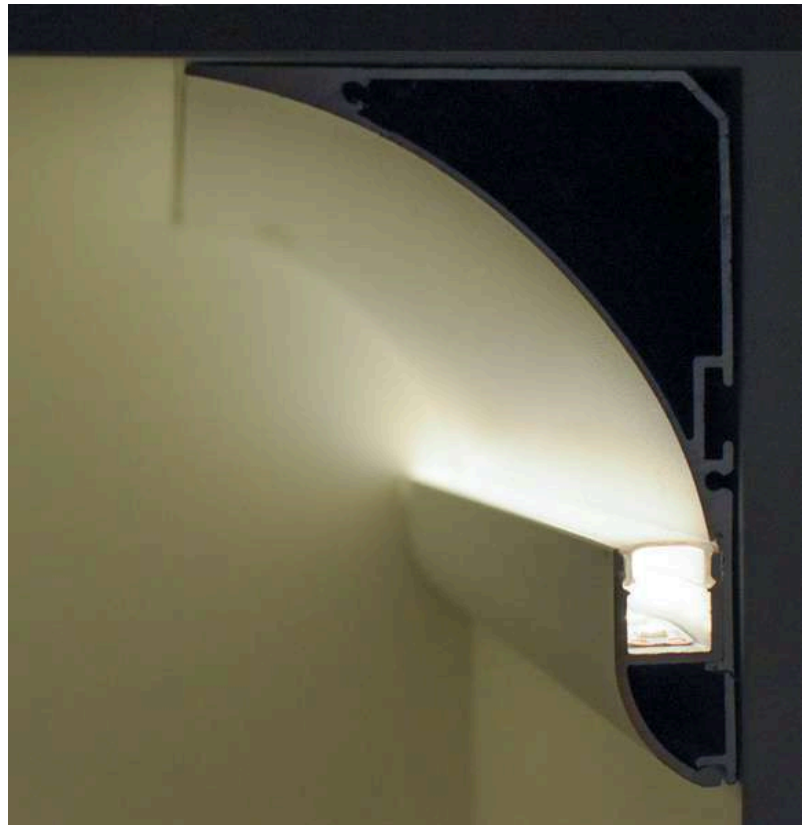
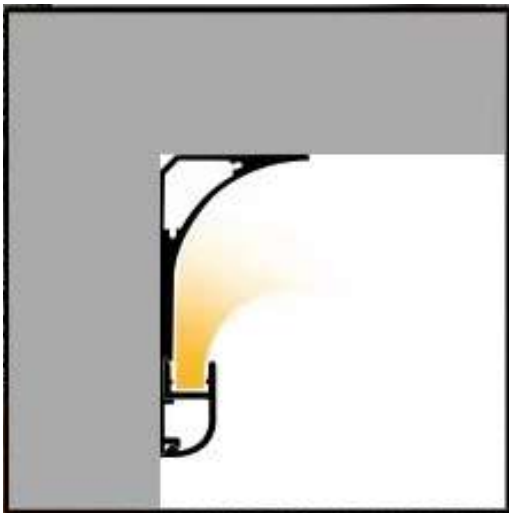
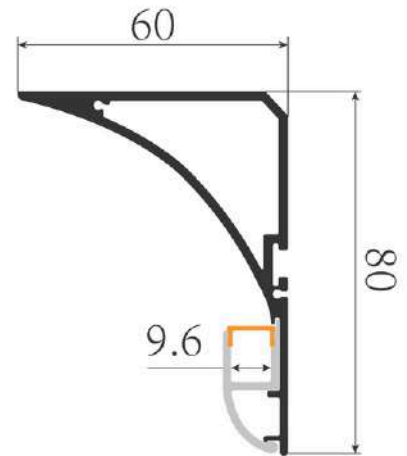
The SkirtGlow Series casts a 45° upward diffused glow, softly illuminating the ceiling while maintaining a clean, modern look. Designed as a skirting line drywall profile, it replaces traditional skirting boards, creating a floating effect while protecting walls. Perfect for contemporary interiors, it delivers a sleek, clutter-free lighting solution for homes and commercial spaces.

SKIRTGLOW SERIES

SPECIFICATIONS

- Dimension : W37 x H60 x Customized length
- Material : Aluminum Alloy, 6063 Aluminum Alloy
- Color : Anodized silver
- Surface treatment : Alu anodized
- PC cover : Transparent, Milky, Frosted
- Transmittance of PC Cover : Milky 53%, , frosted 72%, transparent 89%
- Flexible LED Strip size : Up to 10mm
- Length : 1meter, 3meters, custom length is available

AVAILABLE COLOR





Invisible fixture, unforgettable glow.

Indirect Lighting | 180° Horizontal Glow | Plaster-In Design | Ideal for Low Ceilings

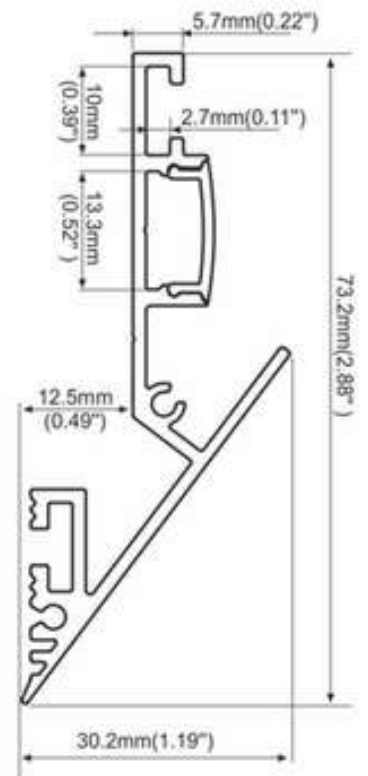
CoveBlend delivers indirect lighting with a 180° horizontal glow, bouncing light evenly across the ceiling for a soft, ambient effect. Designed for low ceilings, this plaster-in LED profile integrates seamlessly into false ceilings, ensuring a clean, architectural finish without exposing the LED source. It enhances depth and warmth without bulky fixtures, making it ideal for modern interiors.

COVEBLEND SERIES

SPECIFICATIONS

- Dimension : W37 x H60 x Customized length
- Material : Aluminum Alloy, 6063 Aluminum Alloy
- Alu profile Color : Anodized silver
- Surface treatment : Alu anodized
- PC cover : Transparent, Milky, Frosted
- Transmittance of PC Cover : Milky 53%, , frosted 72%, transparent 89%
- Flexible LED Strip size : Up to 10mm
- Length : 1meter,3meters,custom length is available

AVAILABLE COLOR





Seamless Curves, Soft Transitions.

Indirect Lighting – Soft | 45° Curved Glow | Seamless Recessed Design |
False Ceiling Installation

VertoGlow delivers indirect lighting with a 45° downward curve, smoothly transitioning light from ceiling to wall for a soft, architectural glow. Designed for false ceilings, its recessed, locked-in system ensures a seamless installation with no visible gaps. This profile enhances depth while maintaining a clean, modern aesthetic, making it ideal for refined residential and commercial interiors.

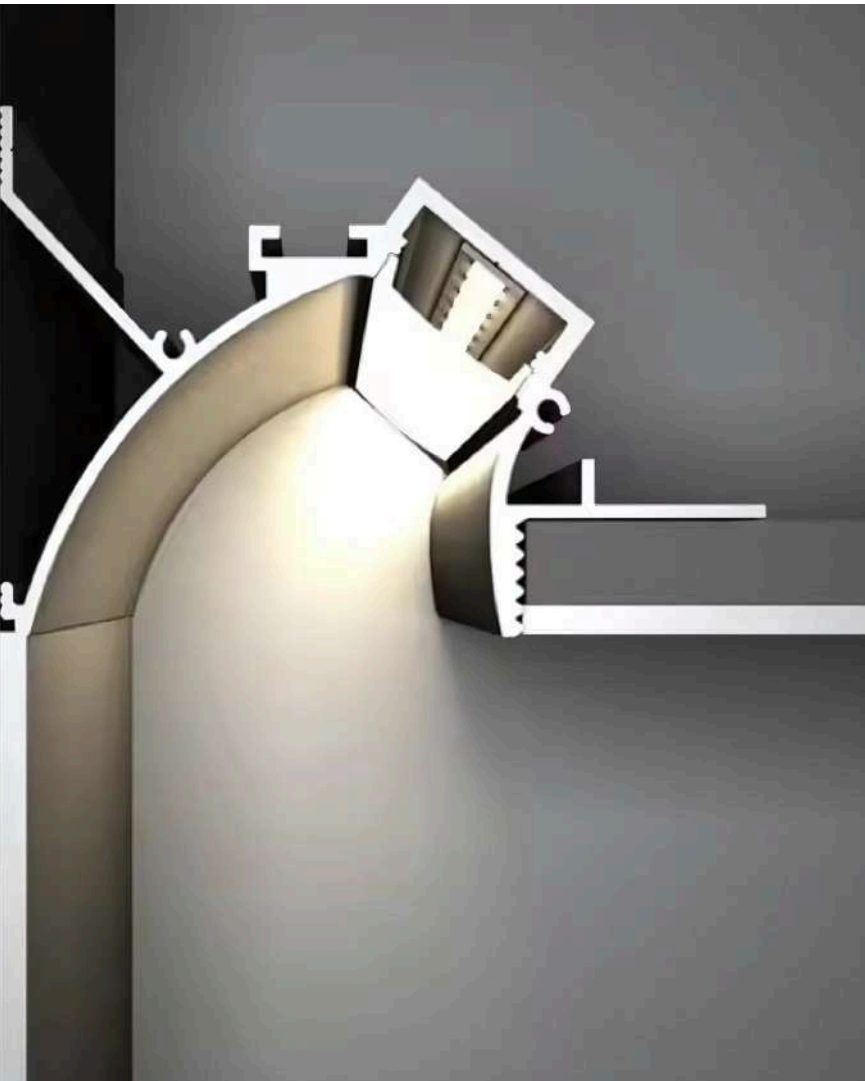
VERTOGLOW SERIES

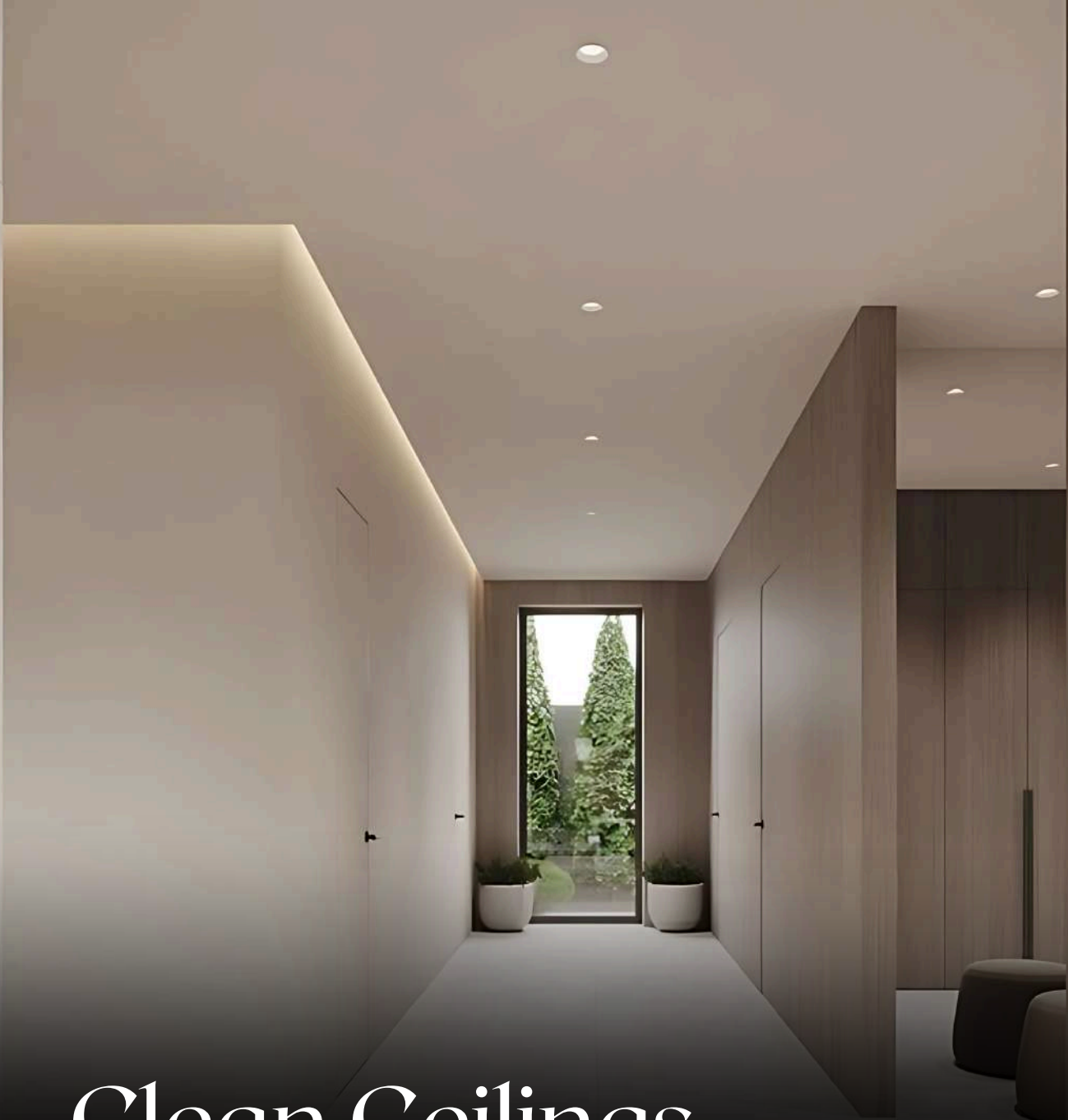


SPECIFICATIONS

- Input Voltage : DC 24V
- Color Rendering Index (Ra) : 90
- Working Hours : 30000
- Surface : Anodizing
- Temper : T5
- Grade : 6000 Series

AVAILABLE COLOR





Clean Ceilings, Confident Light.

Direct Lighting | Diffused Glow | Architectural Integration | False Ceiling Installation

Ceillux delivers direct 90° lighting, casting a smooth, diffused glow straight down for balanced illumination. Designed for false ceilings, its wide-gap profile seamlessly integrates with curtains, wall panels, or textured finishes, enhancing both function and aesthetics. Perfect for modern interiors, Ceillux ensures a clean, clutter-free ceiling while providing elegant, adaptable lighting.

CEILLUX SERIES

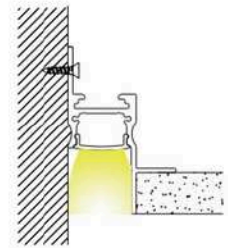
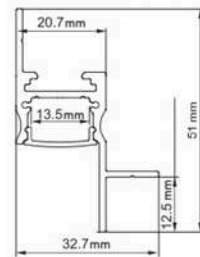
4



SPECIFICATIONS

- Input Voltage(V) : AC 85-265V
- IP Rating : IP20
- Support Dimmer : Yes
- Dimension : 1m/2m/3m
- Surface treatment : Anodised
- Color : Silver / Black anodized , Powder coated white / black or other colors
- Size : 30.7*51mm
- Length : 1/2/3m

AVAILABLE COLOR



Guiding Light, Effortlessly Hidden.

Indirect Lighting | Recessed Design | Pathway & Accent Lighting | Minimalist Aesthetic

PathGlow provides indirect 90° downward illumination, seamlessly embedded into walls for a refined, modern aesthetic. Designed for drywall or recessed installations, it casts a soft glow along floors, cabinet bases, or toe-kicks, enhancing depth and safety without visible fixtures. Perfect for guidance lighting in homes and commercial spaces, PathGlow ensures a minimalist yet impactful lighting experience.

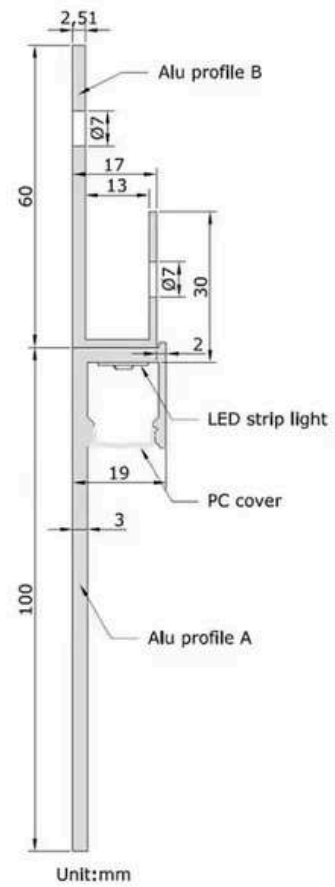


PATHGLOW SERIES

SPECIFICATIONS

- Input Voltage : DC 24V
- Color Rendering Index (Ra) : 90
- Working Hours : 30000
- Surface : Anodizing
- Temper : T5
- Grade : 6000 Series

AVAILABLE COLOR



EDGE LUME SERIES

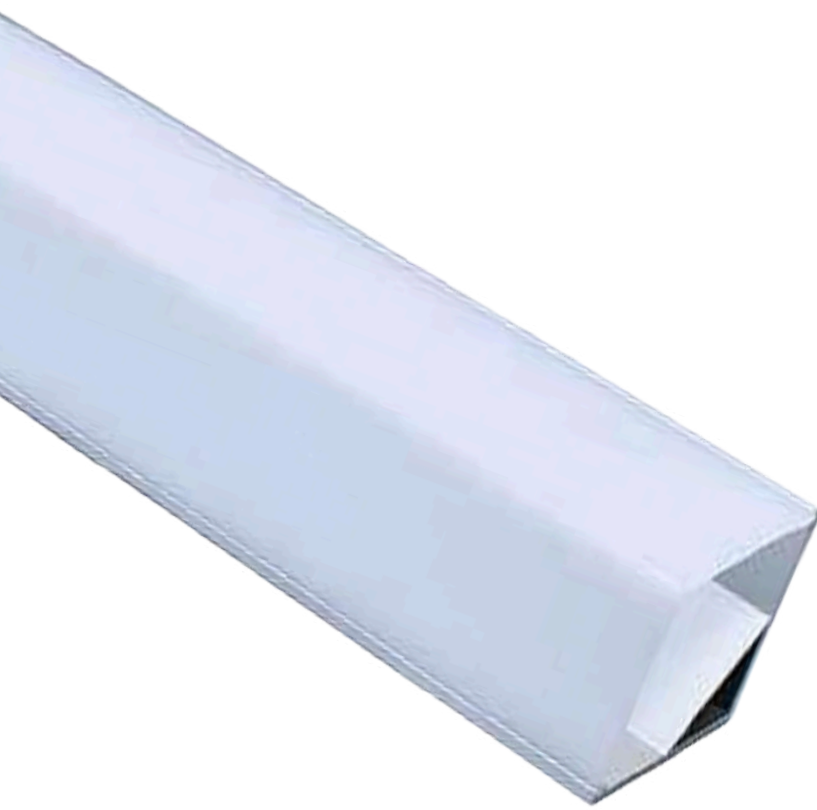
6

Bold Lines, Soft Glow.

Full-Body Glow | Wall-Mounted Simplicity | Architectural Accent | Minimalist & Versatile

EdgeLume is a fully illuminated linear profile, designed for effortless wall-mounted installation. With its diffused, full-body glow, it creates a striking accent that enhances depth and contrast in modern interiors. Ideal for architectural highlights, edge accents, or statement lighting, EdgeLume brings minimalist elegance with maximum impact.

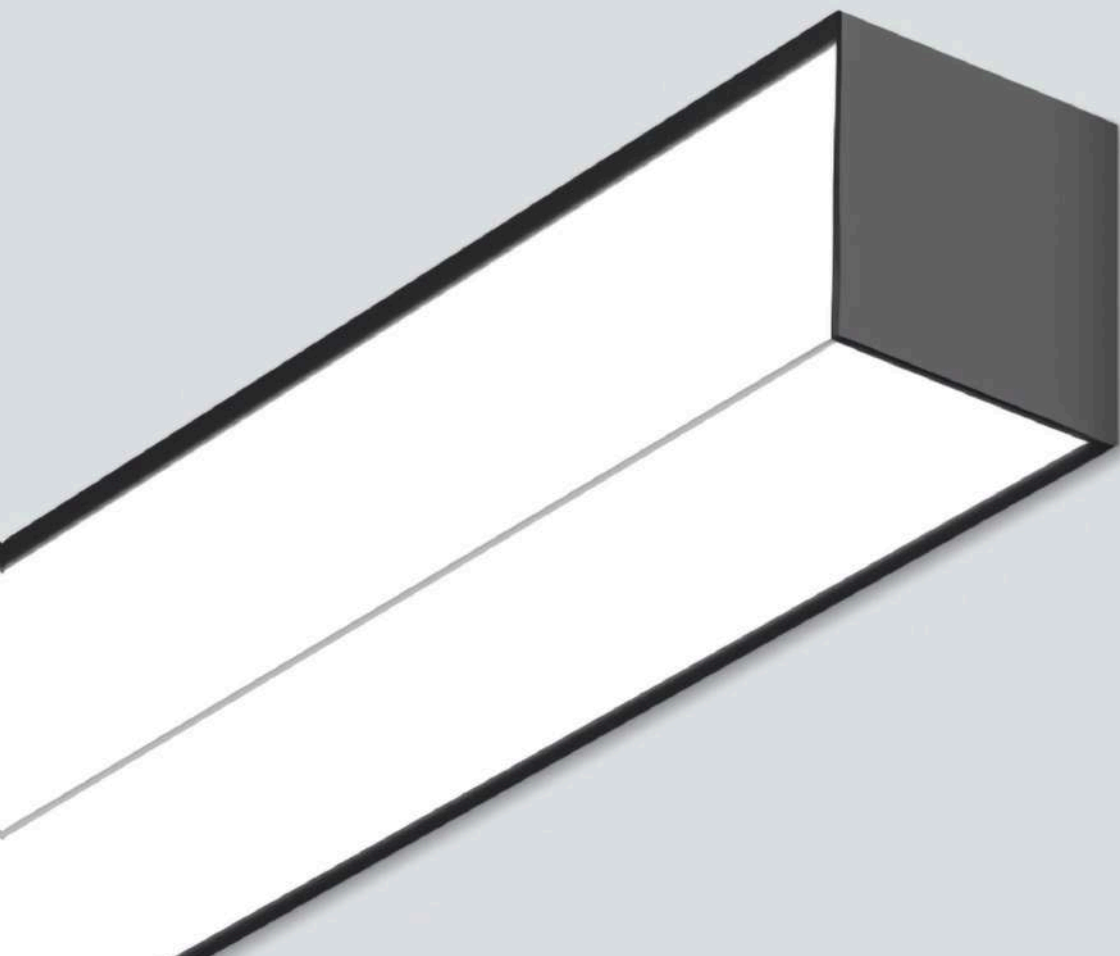
EDGE LUME SERIES



SPECIFICATIONS

- Input Voltage(V) : DC 24V
- Color Rendering Index(Ra) : 90
- Working Hours : 30000
- Surface : Anodizing
- Temper : T5
- Grade : 6000 Series
- Shape : T - Profile

AVAILABLE COLOR



Form meets function, at your feet.

Indirect 180° downward glow – Soft | Seamless wall integration | Functional & stylish | Versatile application

StepLume is a wall-mounted lighting profile designed for floor-level illumination. Installed at the base of walls, it casts a soft, diffused 180° downward glow, enhancing pathways and interiors without glare. This indirect lighting solution creates a refined ambiance while ensuring seamless architectural integration. Ideal for staircases, hallways, cabinet bases, and toe-kicks, StepLume offers both functionality and elegance.



STEPLUME SERIES



SPECIFICATIONS

- Input Voltage(V) : DC 24V
- Color Rendering Index(Ra) : 90
- Working Hours : 30000
- Surface : Anodizing
- Temper : T5
- Grade : 6000 Series
- Shape : T - Profile

AVAILABLE COLOR





Where Curves Meet Calm.

Indirect 0° curved glow – Soft, | Curved architectural design | Seamless false ceiling integration | Expands spatial perception | Outside-Wallpaper | Visible Trim

CoveFlow is a curved cove lighting profile designed for false ceiling integration, installed externally along ceiling edges. Its gracefully curved body delivers an upward 0° indirect glow, eliminating harsh shadows while adding a soft ceiling wash. The visible profile creates a bold architectural feature, drawing attention to the transition between wall and ceiling. Ideal for modern residential and commercial settings, CoveFlow enhances visual height and flow, adding elegance and sculptural depth to any space.

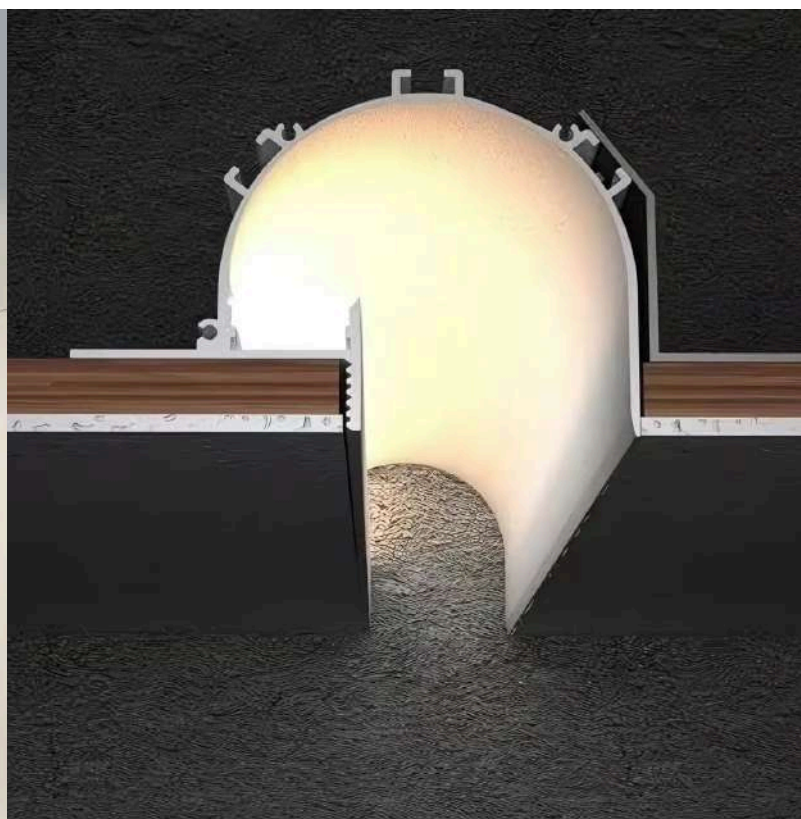
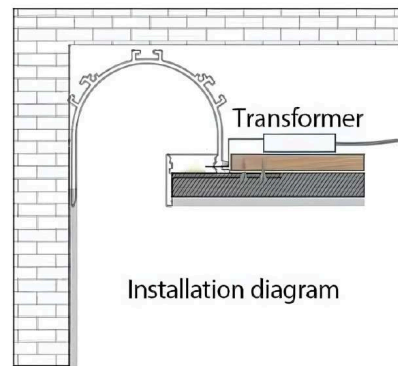
COVEFLOW SERIES



SPECIFICATIONS

- Input Voltage(V) : DC 24V
- Color Rendering Index(Ra) : 90
- Working Hours : 30000
- Surface : Anodizing
- Temper : T5
- Grade : 6000 Series

AVAILABLE COLOR





Uplight, Elevated.

Indirect 45° glow | Subtle curved form | Wall-integrated design | Expands visual space

ElevateLume is an upward luminous groove profile designed for wall integration, delivering a refined 45° indirect glow toward the ceiling. Its subtle curved form enhances architectural details, adding depth and texture while maintaining a minimalist aesthetic. This seamless lighting solution creates a soft, ambient uplight, perfect for highlighting ceiling junctions and expanding spatial perception in modern residential and commercial interiors.

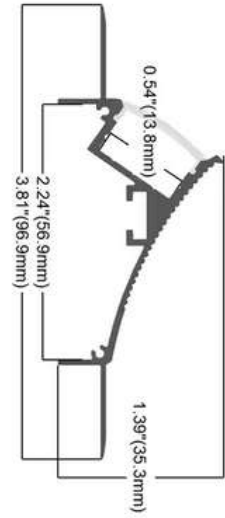
ELEVATELUME SERIES

9

SPECIFICATIONS

- Input Voltage(V) : DC 24V
- Color Rendering Index(Ra) : 90
- Working Hours : 30000
- Surface : Anodizing
- Temper : T5
- Grade : 6000 Series

AVAILABLE COLOR





Two Directions, One Statement.

Indirect dual glow | Corner-mounted design | Soft ambient lighting | Minimalist aesthetic

DuoLume is a 2-way corner lighting profile designed for seamless wall-to-ceiling integration, delivering a balanced indirect glow both upward to the ceiling and downward to the wall. This coveless solution eliminates the need for a traditional cove while enhancing spatial depth and ambiance. Its sleek, architectural design ensures even light distribution, making it ideal for modern residential and commercial interiors.

DUOLUME SERIES

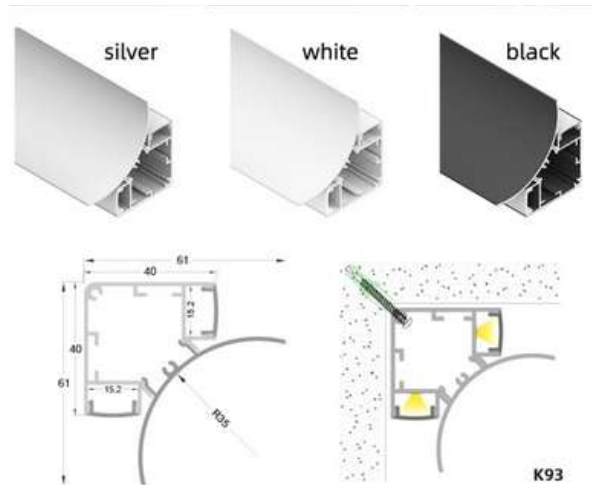
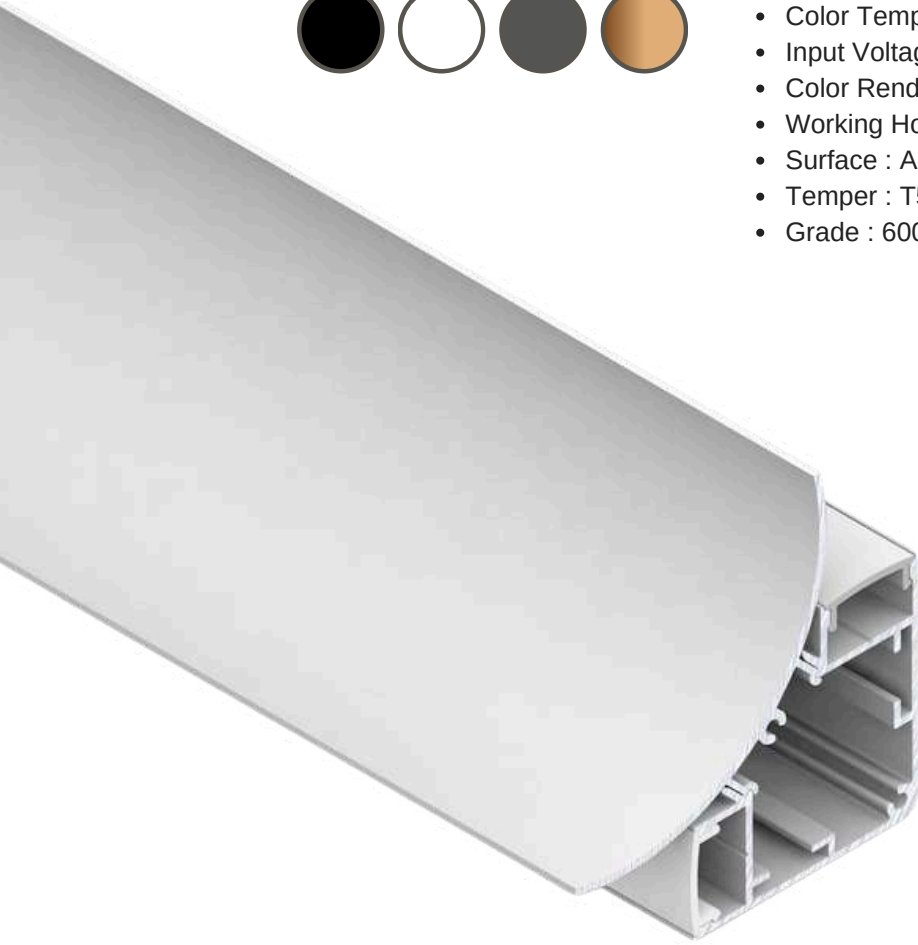
10

AVAILABLE COLOR



SPECIFICATIONS

- Color Temperature(CCT) : 2700K (Soft Warm White)
- Input Voltage(V) : DC 24V
- Color Rendering Index(Ra) : 90
- Working Hours : 30000
- Surface : Anodizing
- Temper : T5
- Grade : 6000 Series





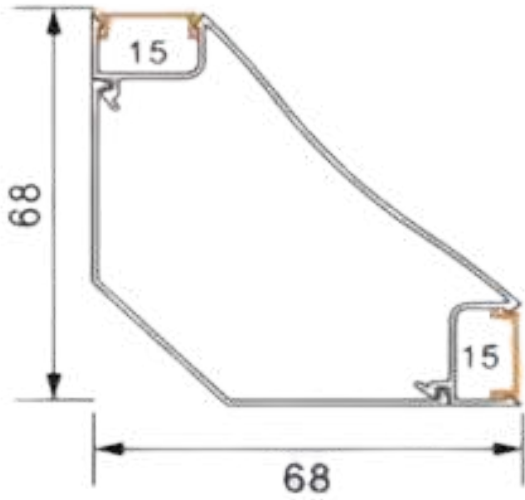
Light in Perfect Balance.

Indirect dual glow | Wall-mounted design | Soft ambient lighting | Minimalist aesthetic

GlowAxis is a dual-directional linear lighting profile designed to emit a balanced glow both upward to the ceiling (90°) and downward to the wall (0°). With seamless integration, it creates a floating light effect without the need for coves or bulky fixtures. Its diffused illumination enhances architectural depth, making it perfect for modern residential and commercial spaces.

GLOWAXIS SERIES

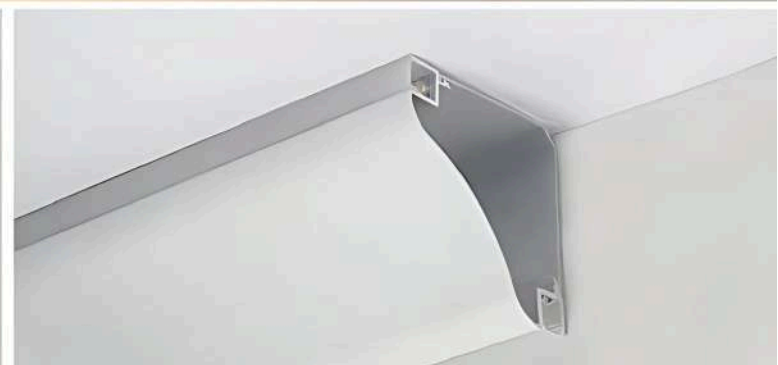
11

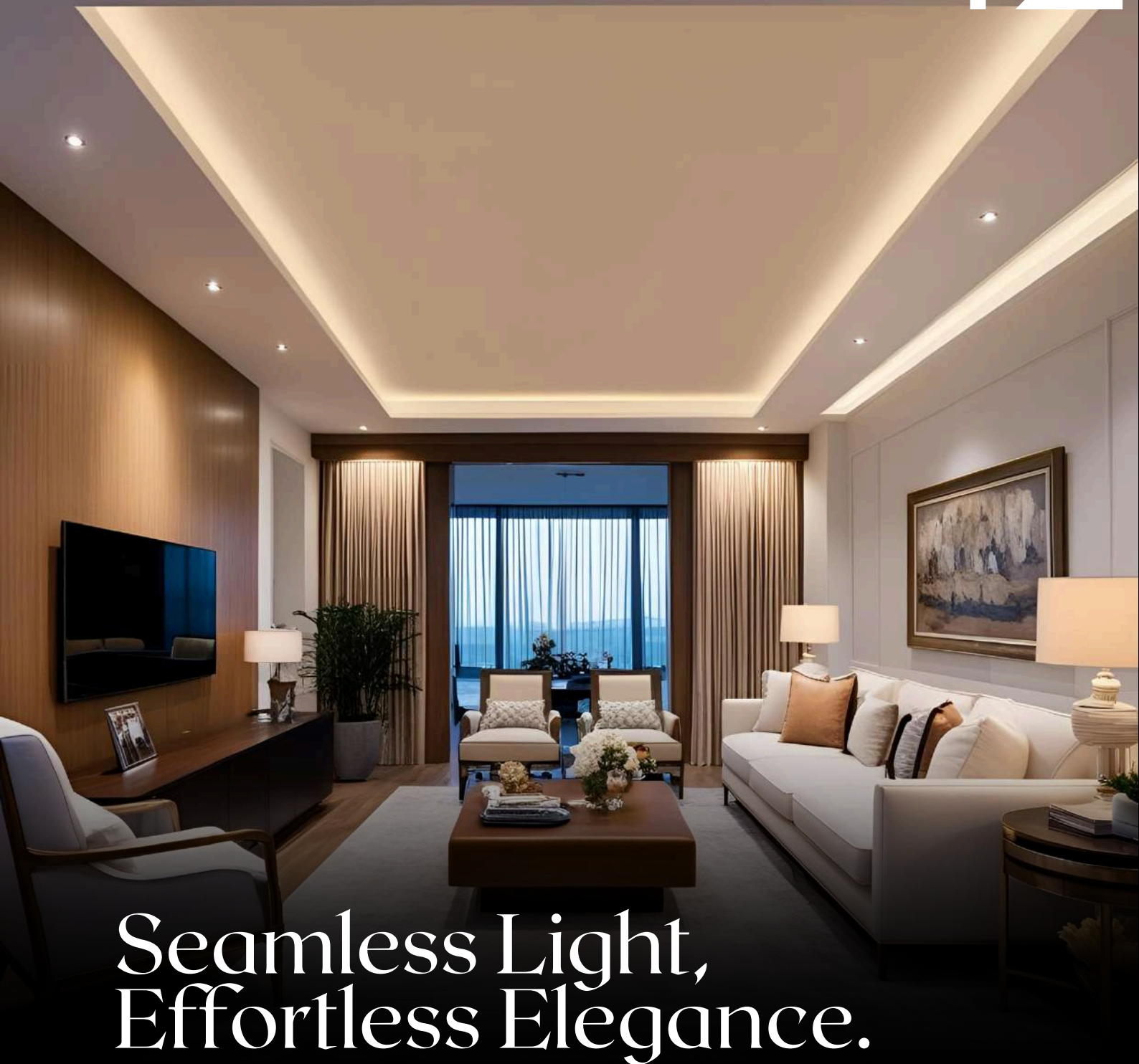


SPECIFICATIONS

- Input Voltage : DC 24V
- Color Rendering Index (Ra) : 90
- Working Hours : 30000
- Surface : Anodizing
- Temper : T5
- Grade : 6000 Series

AVAILABLE COLOR





Seamless Light, Effortless Elegance.

Indirect soft glow | Knife-edge design | Ideal for low ceilings | Minimalist aesthetic

EdgeGlow is a surface-mounted linear knife-edge cove light, designed to provide soft, indirect illumination while keeping the LED source discreetly hidden. Installed within a false ceiling, it ensures a seamless light transition without exposing the fixture, making it perfect for low-ceiling spaces. Its elegant diffused glow enhances spatial depth, adding a sophisticated touch to modern interiors.

EDGE GLOW SERIES

12

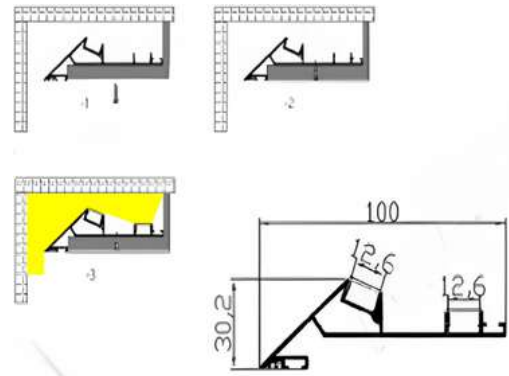


AVAILABLE COLOR



SPECIFICATIONS

- Input Voltage : DC 24V
- Color Rendering Index (Ra) : 90
- Working Hours : 30000
- Surface : Anodizing
- Temper : T5
- Grade : 6000 Series





Bend the Light, Shape the Space.

Indirect 180° upward glow | Flexible design | Seamless illumination |
Ideal for modern interiors

FlexArc is a side-bendable aluminum channel, designed for seamless LED strip integration in curved and arched ceilings. Its flexible structure enables smooth, continuous illumination, eliminating harsh breaks or uneven brightness. Perfect for creative false ceiling designs such as circles, ovals, or flowing curves, FlexArc allows for custom architectural lighting with a sleek, modern aesthetic.

FLEXARC SERIES

13

AVAILABLE COLOR



SPECIFICATIONS

- Input Voltage : DC 24V
- Color Rendering Index (Ra) : 90
- Working Hours : 30000
- Surface : Anodizing
- Temper : T5
- Grade : 6000 Series



Subtle Light, Strong Presence.

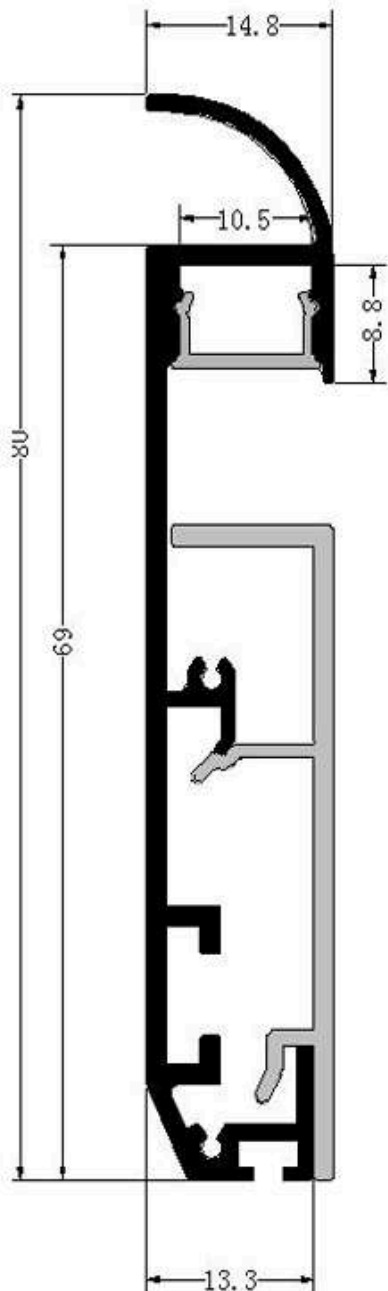
Indirect 0° downward glow | Wall-integrated design | Minimalist & modern |
Ideal for pathways & baseboards

BaseGlow is an angled toe-kick LED baseboard light, designed to seamlessly integrate into walls just above the floor. Installed 10-15 cm from the ground, it provides subtle downward illumination (0°), enhancing pathways, cabinets, and wall perimeters with a soft, ambient glow. Perfect for modern interiors, BaseGlow combines functionality and aesthetics, ensuring a clean, minimalistic look while adding depth and elegance to any space.



BASEGLOW SERIES

14



SPECIFICATIONS

- Input Voltage : DC 24V
- Color Rendering Index (Ra) : 90
- Working Hours : 30000
- Surface : Anodizing
- Temper : T5
- Grade : 6000 Series

AVAILABLE COLOR





Light That Follows Your Flow.

Flexible & bendable | Indirect 0° downward glow | Wall-integrated design |
Ideal for pathways & baseboards

FlexBase is a flexible, bendable toe-kick LED baseboard light, designed to seamlessly adapt to curved and organic architectural shapes. Installed 5 cm from the floor, it provides a smooth, 0° downward glow, subtly illuminating pathways, cabinet bases, and sculptural interiors. Crafted from bendable materials, it enables continuous, flowing illumination, making it the perfect solution for modern, dynamic spaces.

FLEXBASE SERIES

15



SPECIFICATIONS

- Input Voltage : DC 24V
- Color Rendering Index (Ra) : 90
- Working Hours : 30000
- Surface : Anodizing
- Temper : T5
- Grade : 6000 Series

AVAILABLE COLOR





Curves That Glow With Purpose.

45° indirect glow | Curved profile | False ceiling integration |
Ideal for residential & commercial interiors

ArcBase is a curved cove lighting profile designed for false ceiling integration, seamlessly blending the wall and ceiling junction. Its curved body diffuses a 45° upward glow, softly illuminating walls while eliminating harsh shadows. This design enhances architectural flow, creating a smooth, ambient transition that adds depth and elegance to modern interiors.

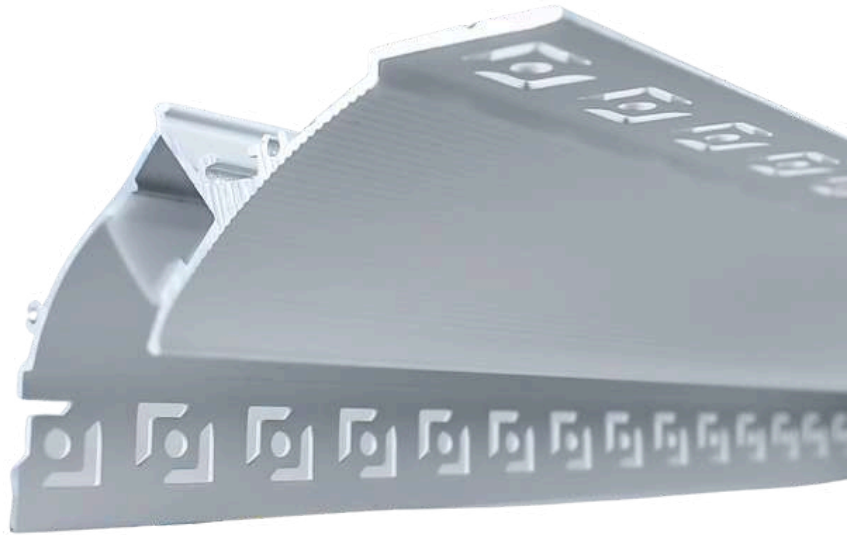
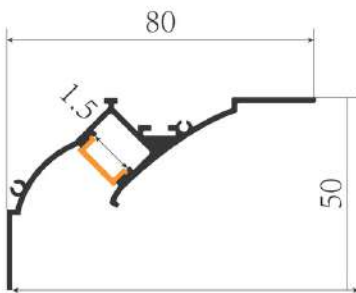
ARCBASE SERIES

16

SPECIFICATIONS

- Input Voltage : DC 24V
- Color Rendering Index (Ra) : 90
- Working Hours : 30000
- Surface : Anodizing
- Temper : T5
- Grade : 6000 Series

AVAILABLE COLOR





Light That Shapes the Space.

0° downward illumination | Minimalist L-profile | Architectural depth enhancement |
Perfect for residential & commercial spaces

WallGlow is a minimalist L-shaped lighting profile designed to be installed at the junction of walls and false ceilings. Emitting a 0° downward glow, it provides soft, even illumination to highlight wall textures, create depth, or define architectural pathways. Perfect for modern interiors, WallGlow delivers a refined lighting effect while maintaining a clean, unobtrusive aesthetic.

WALLGLOW SERIES

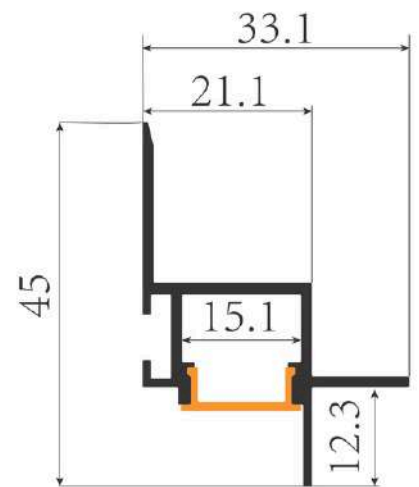
17



SPECIFICATIONS

- Input Voltage : DC 24V
- Color Rendering Index (Ra) : 90
- Working Hours : 30000
- Surface : Anodizing
- Temper : T5
- Grade : 6000 Series

AVAILABLE COLOR





Light That Flows With Form.

Curved profile design | Soft, indirect illumination | Architectural integration |
Ideal for modern interiors | Inside-Wallpaper | Fully concealed

ArcGlow is a recessed, curved lighting profile installed flush within the wall surface, allowing it to be painted over or covered with wallpaper for a seamless finish. Unlike traditional profiles, its integrated curved form gently diffuses light, casting a continuous, ambient glow without visible fixtures. Perfect for high-end interiors seeking subtle sophistication, ArcGlow delivers clean lines and architectural refinement, transforming pathways, walls, and ceilings with smooth, uninterrupted illumination.

ARCGLOW SERIES

18

SPECIFICATIONS

- Input Voltage : DC 24V
- Color Rendering Index (Ra) : 90
- Working Hours : 30000
- Surface : Anodizing
- Temper : T5
- Grade : 6000 Series

AVAILABLE COLOR



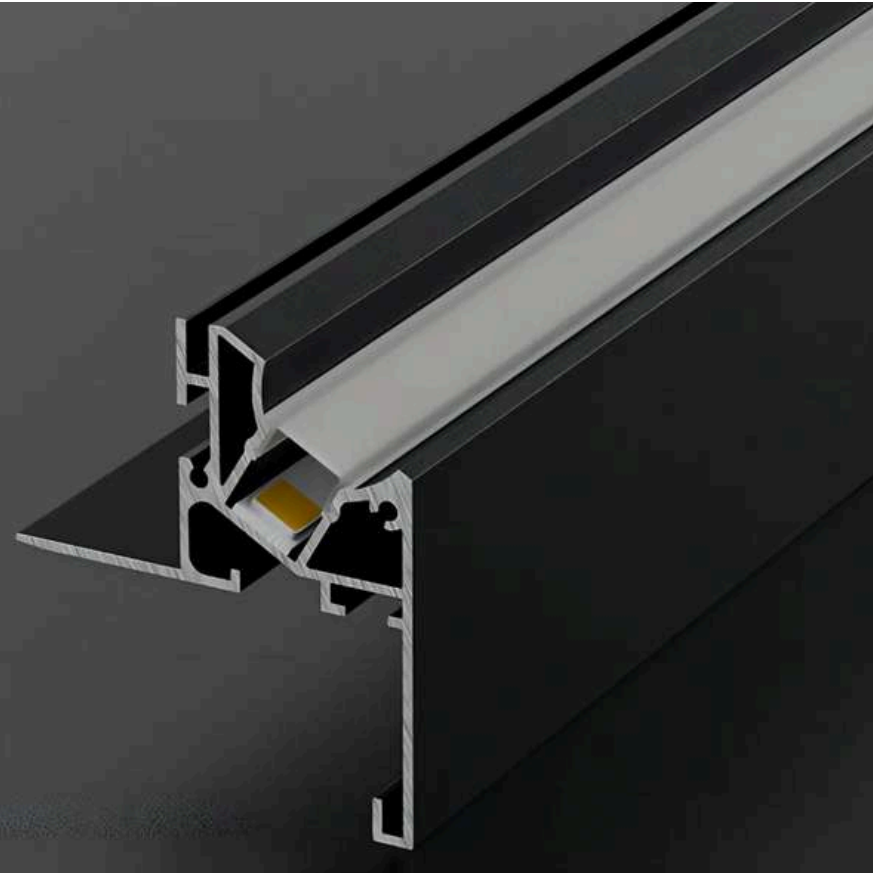
Rising Above the Ordinary.

Wall-mounted design | 45° upward illumination | Enhances architectural depth | Minimalist & sophisticated

ElevateGlow is a wall-mounted cove lighting profile designed to provide seamless, indirect illumination without the need for a traditional cove. Engineered to enhance architectural depth, its 45° upward light projection creates a smooth transition across ceilings, making it ideal for spaces with varying ceiling heights. Perfect for modern interiors, ElevateGlow adds subtle elegance and spatial enhancement, blending effortlessly into residential and commercial environments.

ELEVATEGLOW SERIES

19



SPECIFICATIONS

- Input Voltage : DC 24V
- Color Rendering Index (Ra) : 90
- Working Hours : 30000
- Surface : Anodizing
- Temper : T5
- Grade : 6000 Series

AVAILABLE COLOR





Gracefully curved. Elegantly lit.

Curved L-shape profile | Top-positioned light source | Enhances architectural depth | Sleek & modern design

LumaEdge is a curved L-shaped lighting profile designed for edge wall illumination, delivering a refined, indirect glow without the need for a traditional cove. Placed between the ceiling and wall, its top-positioned light source follows the curve downward, creating a soft, seamless transition that enhances architectural depth. Ideal for modern interiors, LumaEdge also complements cornices, adding an extra layer of sophistication and dimension to any space.

LUMAEDGE SERIES

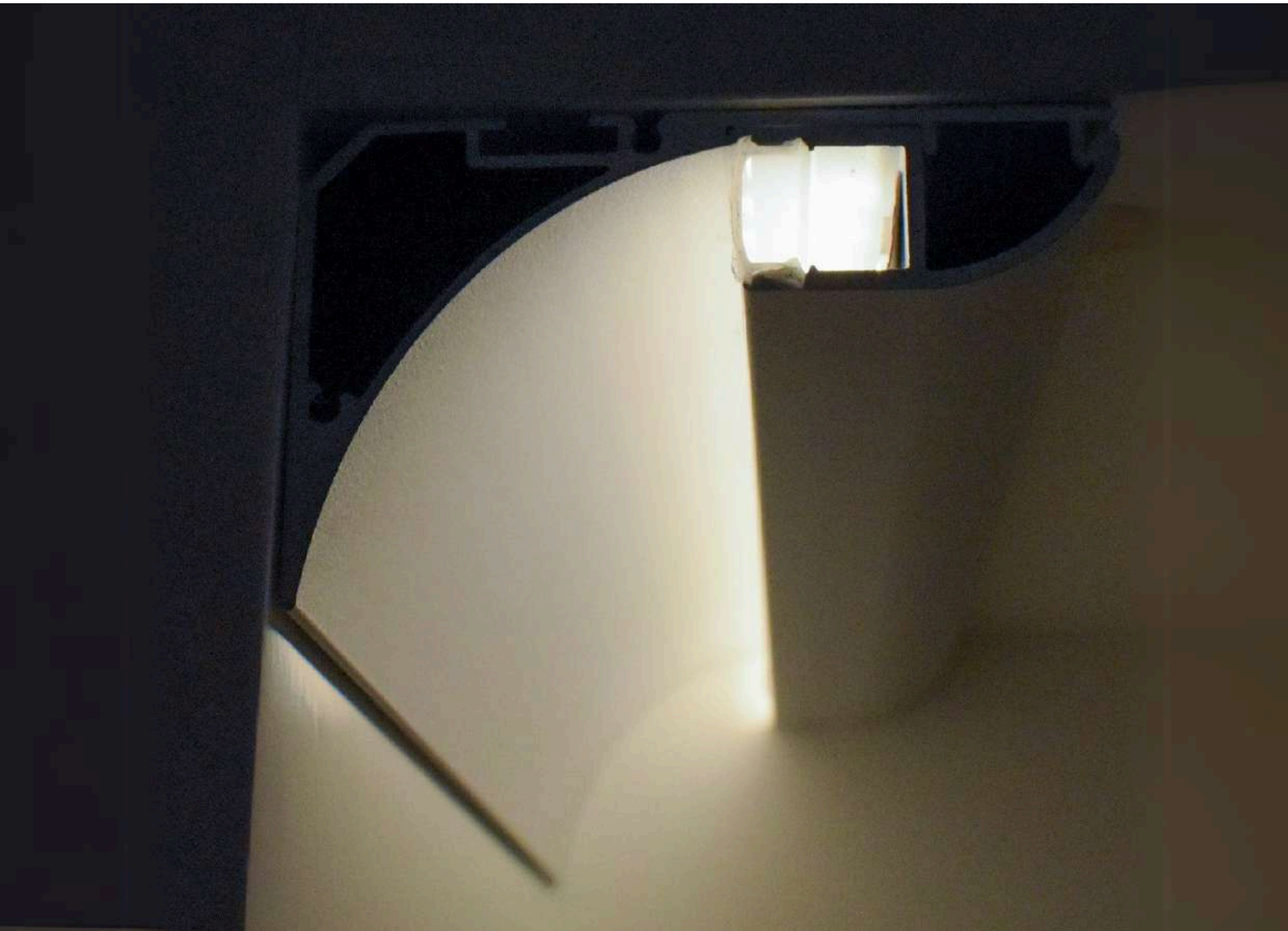
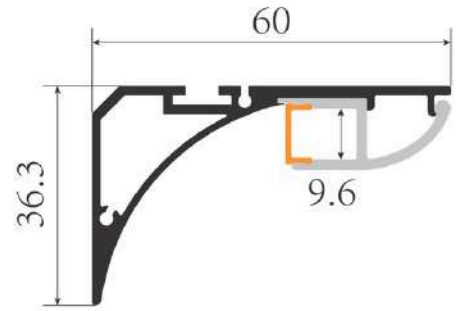
20

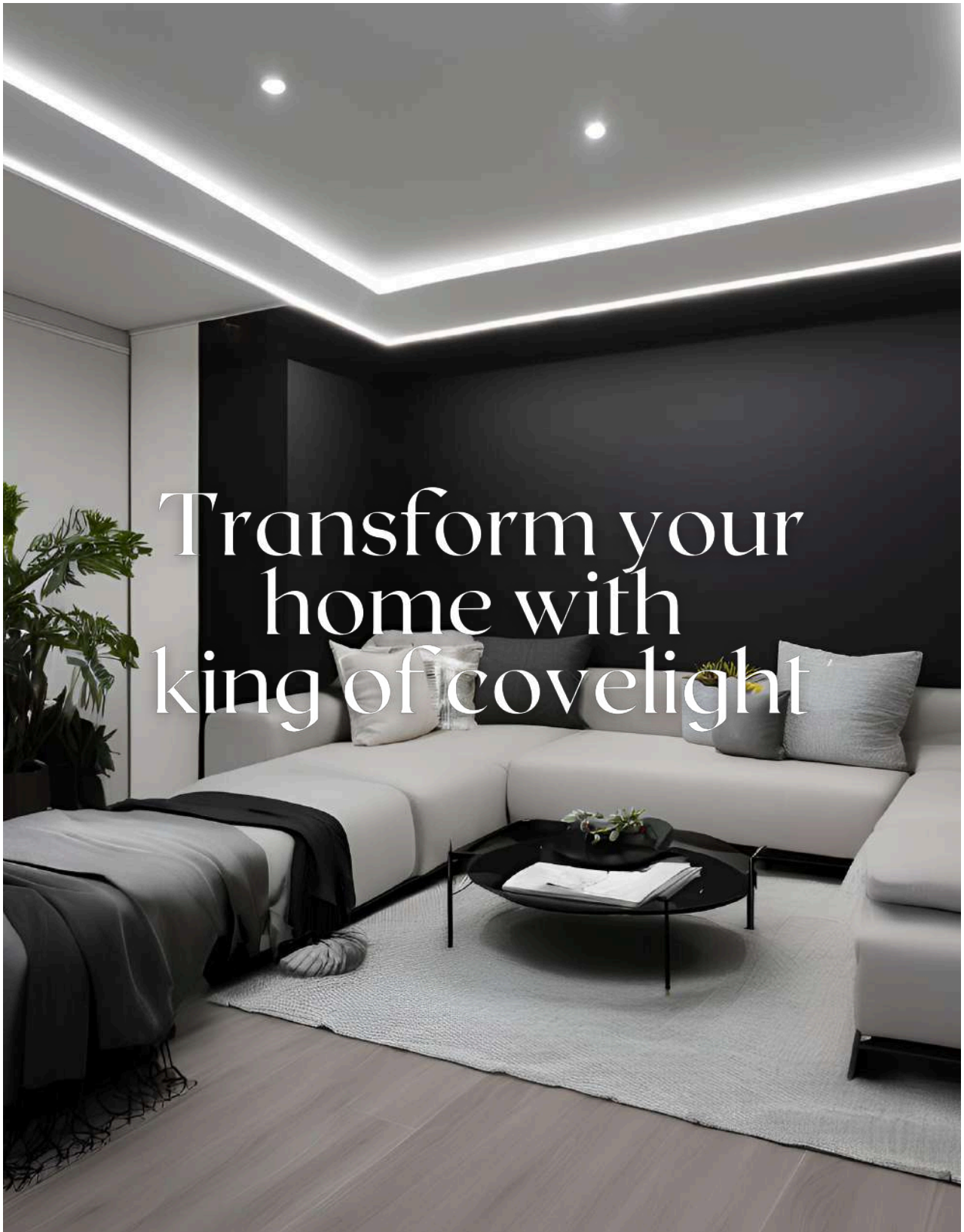
AVAILABLE COLOR



SPECIFICATIONS

- Input Voltage : DC 24V
- Color Rendering Index (Ra) : 90
- Working Hours : 30000
- Surface : Anodizing
- Temper : T5
- Grade : 6000 Series





Transform your
home with
king of covelight

Contact Us:

Sales@lunebrillante.sg +6593809785
Upper Cross Street 03-02, Hong Lim Complex,
050531, Singapore

www.lunebrillante.sg